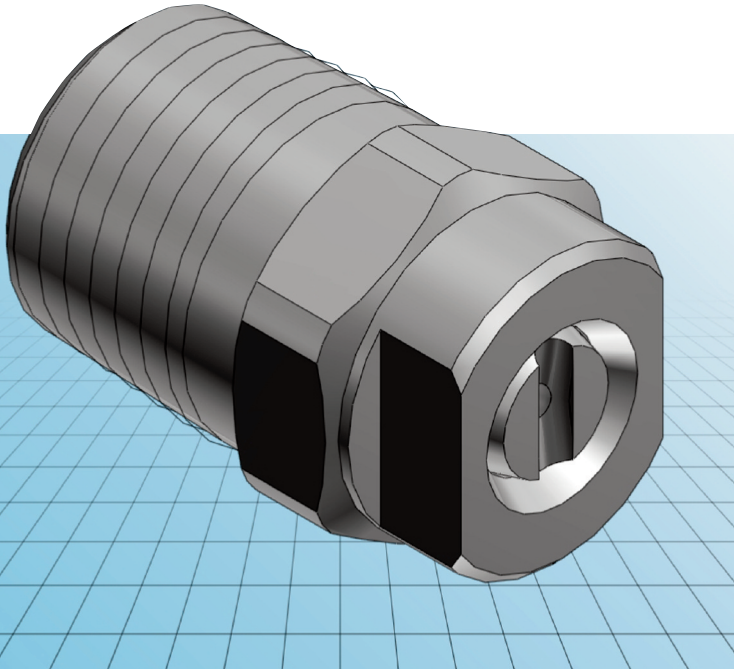


# NOW NOZZLES CAD ONLINE



**Quick and simple:  
Lechler nozzles available  
online as 3D design data**



**3D design data for Lechler nozzles and accessories is now available to you free of charge for your design work.**

- Time-saving, direct download of design drawings and technical data.
- Simple product selection like from the Lechler printed catalogue.
- Preview function with product photo and 3D graphic.
- Available in all common 3D file formats
- Free use after one-time registration.

By offering this service, Lechler once again demonstrates its competence and proves its technology leadership claim.

**Just a few work steps  
is all it takes,  
and the 3D design data  
is available to you.**

**Registration**

1. <http://lechler.partcommunity.com>
2. Top right click on "Register".
3. Enter registration data, confirm license agreement, send e-mail.
4. A confirmation e-mail will be sent to you.
5. Follow the instructions in the confirmation e-mail.
6. Login: User name + password.
7. Setting the CAD file format:
  - a) "Select CAD formats" (right column).
  - b) "CAD MODEL for download" (left column).
  - c) Select 3D format.
  - d) Click right arrow "accept", "save settings", "close".

**Download**

1. File download: Select nozzle chapter, nozzle design, nozzle series.
2. Select series, click on "Generate CAD MODEL".
3. The CAD model is generated and displayed (bottom left).
4. Click on "Download".
5. Pop-up window: Click on "Save", select destination folder, "Save" again.

**PDF DATASHEET**  
© 1992-2010 CADWIS GmbH

Take advantage of this offer to make your work easier. We would be happy to support you.

<http://lechler.partcommunity.com>